



MANHATTAN

Integral freezer and chiller cabinets. Ready to plug in.



**MINIMAL SPACE REQUIREMENTS.
MAXIMUM SALES PROMOTION.**

A NEW DIMENSION OF PLUG-IN CABINETS: SMALL FOOTPRINT, BIG SALES PROMOTION.

Our innovative MANHATTAN makes for maximum sales promotion with minimal requirements for space. It offers an impressively thought-out and economical retail freezer concept. MANHATTAN's convincingly discreet presence puts the focus exclusively on the merchandise inside, while its optimized presentation area provides the perfect incentive to buy. The newly designed divided sliding lid system is remarkably easy to use and allows comfortable grasping of merchandise from both sides of the unit. This variability offers completely new possibilities at the POS and makes MANHATTAN a flexible and universal solution for individual or row placement.

Key benefits

- | High energy savings compared with conventional open units
- | Maximum energy efficiency thanks to electronic speed-controlled compressor (VS)
- | **AHT e-conomize:**
Massive additional power saving potential due to extensive optimizations in technology and construction
- | New synthetic interior casing for better hygiene and easy cleaning
- | Intelligent fan motor for more energy efficiency – saves approximately 0,5 kWh daily
- | 100 % CFC- and PFC-free
- | Ready to plug in – no additional assembly required
- | Low investment and operation costs
- | Maintenance-free refrigeration technology
- | Brilliant LED lighting system which enhances product display, drives sales and reduces maintenance
- | Experience approximately additional 25% energy savings through an electronic speed-controlled compressor (VS)*
- | Environmentally friendly with natural refrigerant propane
- | Constant interior temperature and high power reserves ensure high merchandise quality
- | Consumers can shop both sides at the same time without interference



Temperature ranges

- | Chilling +3 °C to +15 °C¹
- | Freezing -18 °C to -23 °C
- | Meat and minced meat refrigeration 0 °C to +2 °C²

Highly flexible

- | Can be used as a stand alone unit
- | Can be used in a line up

¹ Preset is fixed at 4 °C – possibility to change to another temperature by a service technician.

² For product quality reasons, semiautomatic defrosting is not possible in »Meat/Ground meat« operating mode.



Accessories*

- | **Dividers and base units** to maximize merchandising opportunities
- | **Product labeling and price tags**
- | **Impact protection bumpers** that are available in different colors
- | **Kick plates** prevent water and dust from running below the cabinets

* Please do not hesitate to ask us for our accessories folder.

The perfect solution – built in semi-automatic defrost! (AD)



Regular defrosting ...

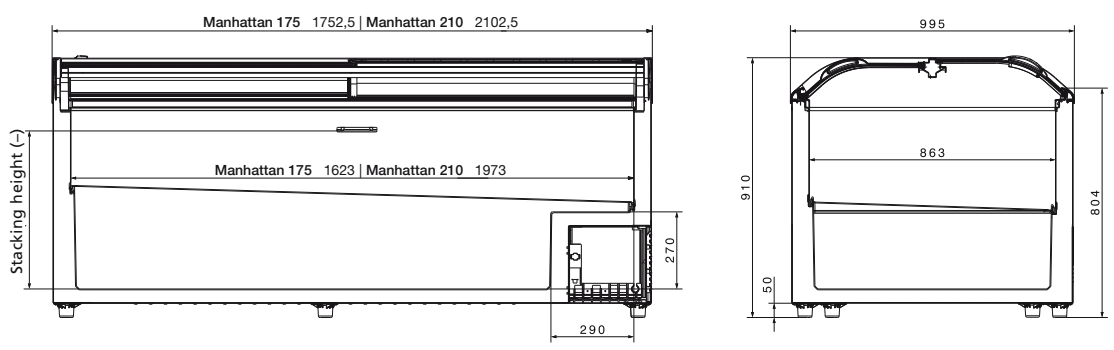


... with goods kept at a constant temperature

e-conomize POWER SAVER PLUS

MANHATTAN		175		210	
Technical Data		(-) VS AD ECO LED	(U)* VS AD ECO LED	(-) VS AD ECO LED	(U)* VS AD ECO LED
Gross content	liter	992	992	1221	1221
Net content according to EN 23953	liter	643	630/402/605	817	799/513/768
Total display area (TDA)	m ²	1,44	1,44	1,75	1,75
Classification according to EN 23953		3L1	3S/3S/3L1	3L1	3S/3S/3L1
Ambient temperature range	°C	+16 to +25	+16 to +25	+16 to +25	+16 to +25
Inner temperature range	°C	-18 to -23	+3 to +15/ 0 to +2/-18 to -23	-18 to -23	+3 to +15/ 0 to +2/-18 to -23
Sound pressure in 1 m distance	dB(A)	43,8	43,3	43,8	43,6
Electrical Data					
Nominal voltage/frequency	V/Hz	220-240/50	220-240/50	220-240/50	220-240/50
Nominal power cabinet consumption	W	400	400	420	420
Nominal power LED light	W	34	34	39	39
Nominal current	A	3,0	3,0	3,8	3,8
Fuse protection	A	16	16	16	16
Energy consumption (at 25 °C)	kWh/24 h	6,2	2,9/3,2/6,2	6,4	3,2/3,5/6,4
Length of power supply cord	mm	1750	1750	1750	1750
Refrigeration Data					
Refrigerant type		R290	R290	R290	R290
Refrigerant charge	g	100	100	110	110
Max. operating pressure	bar	30	30	30	30
Dimensions					
Length outside/inside	mm	1753/1623	1753/1623	2103/1973	2103/1973
Depth outside/inside	mm	995/863	995/863	995/863	995/863
Front access height/height outside	mm	804/910	804/910	804/910	804/910
Stacking height	mm	560	580/380/560	560	580/380/560
Weight					
Net weight (excl. packaging, incl. process-related internal accessories)	kg	130	139	145	154
Gross weight (incl. packaging and process-related internal accessories)	kg	141	150	156	165

* Universal cabinet: The cabinet covers all three temperature ranges of refrigeration +3 °C to +15 °C / meat and minced meat refrigeration 0 °C to +2 °C / freezing -18 °C to -23 °C.



For version AD/U the inner dimensions are reduced due to the necessary use of wire grids along the inside walls.



AHT Cooling Systems GmbH
 8786 Rottenmann · Austria
 Tel. +43/(0)3614/2451-0
 Fax +43/(0)3614/2451-8
 Email office@aht.at

OHSAS 18001 SA 8000	ISO 9001 ISO 14001
------------------------	-----------------------